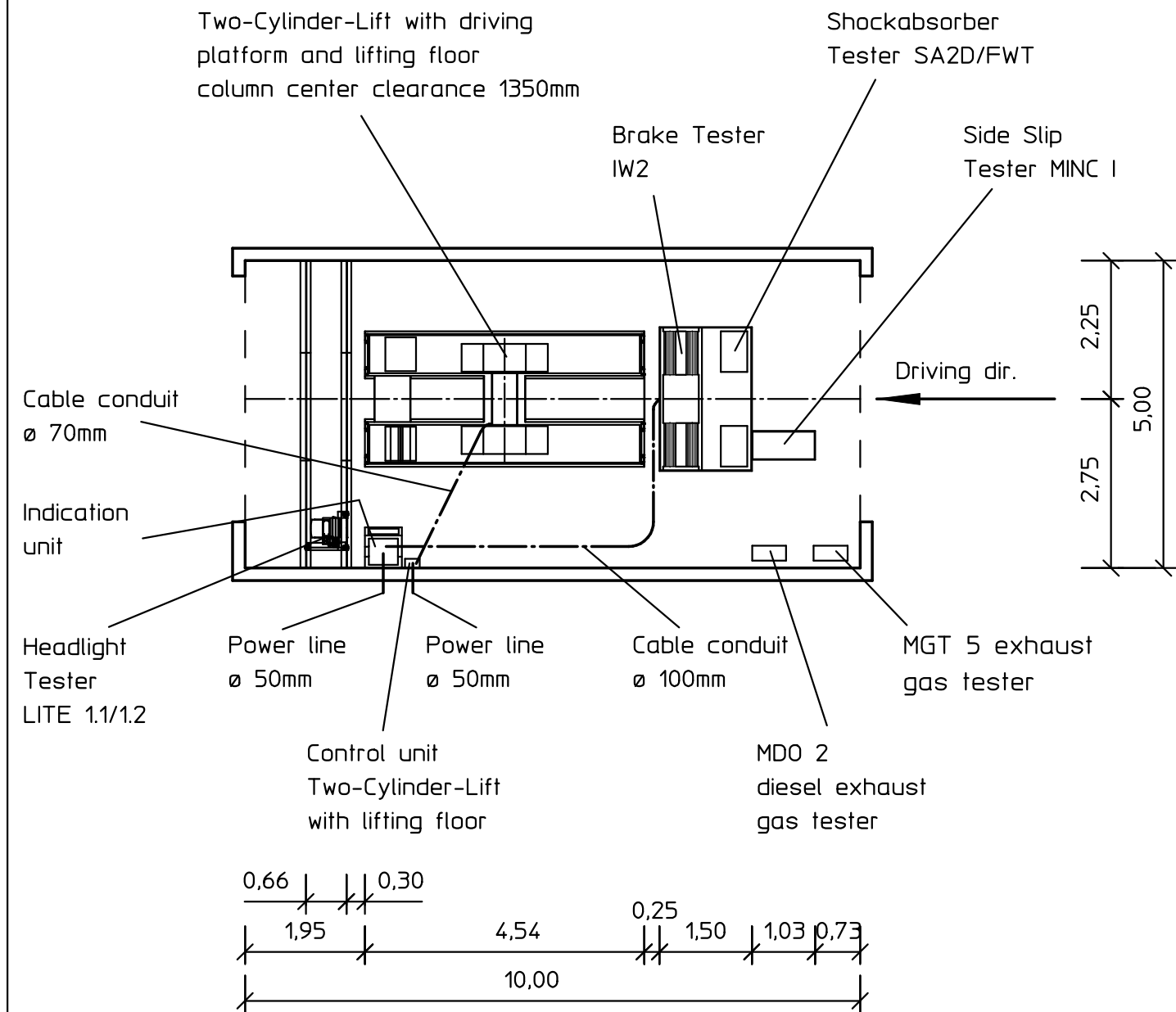
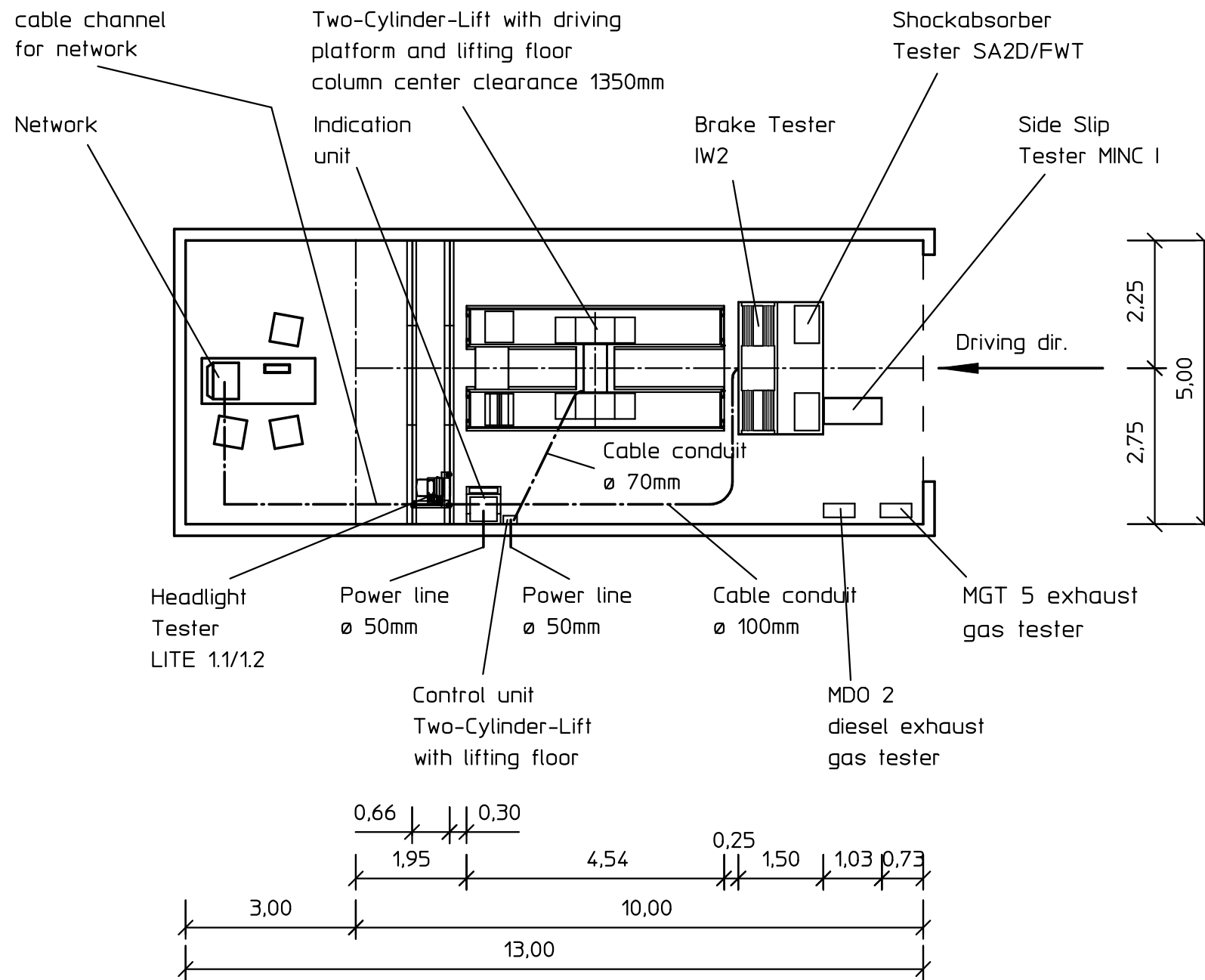


Attention:  
For installation of more than two testing lanes we recommend to place data and current forwarding cables in separate cable conduits.

Technical data sheet No. 928.1  
Positioning suggestion  
Two-Cylinder-Lift with driving platform and lifting floor  
column center clearance 1350mm  
Testing lane underfloor



All dimensions to be checked!

Attention: Order up-to-date data sheets before beginning of construction.

Compare lift and testing lane with the order.

All dimens. in m	Maße ohne Toleranzangabe nach DIN ISO 2768-mK		Schutzvermerk nach DIN 34 beachten!		Maßstab 1:100	Gewicht			
	Indication: Our positioning proposals are only recommendations, which are not binding. We cannot be held liable that the installation of testing and lifting devices as well as of other products according this proposal allows effective and trouble-free application.				Betreuer Grf.				
			Datum	Name	<b>MAHA-Positionierungsvorschlag</b> <b>PKW Dialogannahme</b>				
			Bearb.	Grf.					
			Gepr.						
			Norm						
					Kommission				
					Zeichnungsnummer		Blatt		
					P-00212				
					1				
					Bl.				
Originalgröße der Zeichnung: A3			Zust.	Änderung	Datum	Na	Ursprung	Ers. f.	Ers. d.