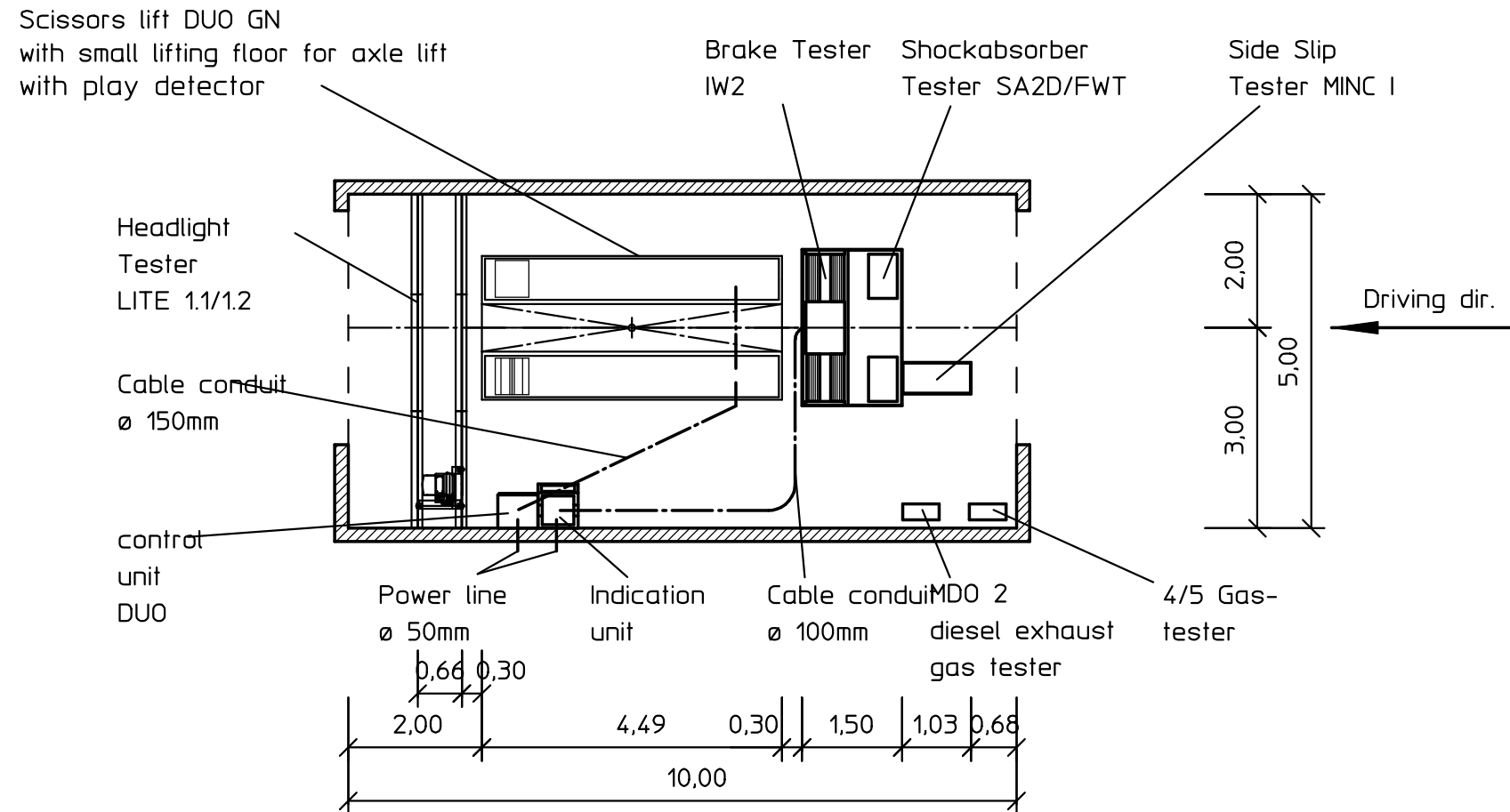


Technical data sheet No. 931.1  
Positioning suggestion  
Testing lane underfloor



Attention:  
For installation of more than two testing lanes we recommend to place data and current forwarding cables in separate cable conduits.

All dimensions to be checked!

Attention: Order up-to-date data sheets before beginning of construction.

Compare lift and testing lane with the order.

All dimens. in m  Indication: Our positioning proposals are only recommendations, which are not binding. We cannot be held liable that the installation of testing and lifting devices as well as of other products according this proposal allows effective and trouble-free application.	Maße ohne Toleranzangabe nach DIN ISO 2768-mK		Schutzvermerk nach DIN 34 beachten!		Maßstab 1:100	Gewicht	
			Datum	Name	Betreuer Grf.		
			Bearb	17.08.2001	Grf.	MAHA-Positionierungsvorschlag PKW Annahmepfstraße mit DUO GN	
			Gepr		Norm	Kommission	
					Zeichnungsnummer		Blatt
					P-00487		1
Originalgröße der Zeichnung: A3		Zust	Änderung	Datum	Na	Ursprung	Ers. f.   Ers. d.